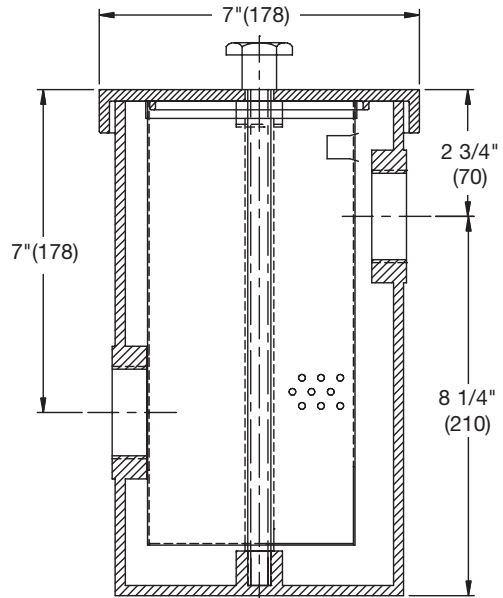


Hair, Sediment & Solids Interceptors

SI-742 Hair, Plaster, & Sediment Interceptor

Model Number	Description	List Price
SI-742	cast aluminum	\$1,233.50
SI-742-SS	stainless steel	2,715.00



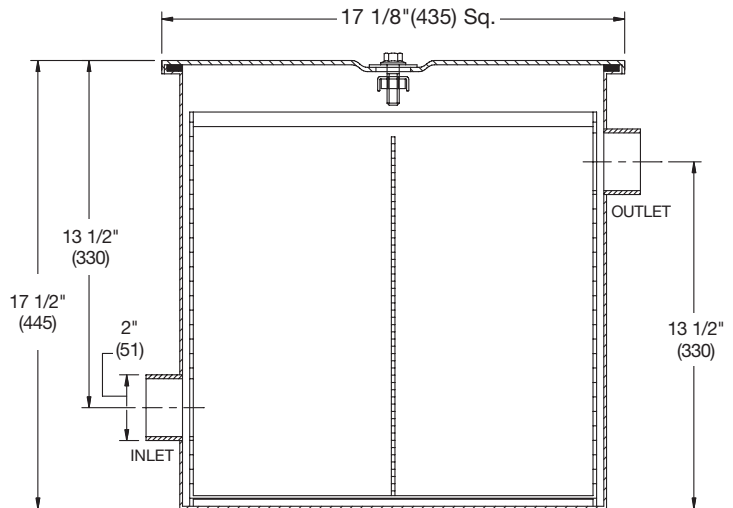
Options for SI-742 Series:

Suffix	Description	List Price
-X	Cover for Recessed Installation	\$476.05



SI-740-L Large Capacity Sediment Interceptor

Model Number	Outlet	Description	List Price
SI-742-L	2"	Epoxy Coated Steel	\$4,320.00
SI-743-L	3"	Epoxy Coated Steel	4,929.00
SI-744-L	4"	Epoxy Coated Steel	4,929.00
SI-742-L-SS	2"	Stainless Steel	7,921.00
SI-743-L-SS	3"	Stainless Steel	8,531.00
SI-744-L-SS	4"	Stainless Steel	8,531.00



Options for SI-740-L:

Suffix	Description	List Price
-E	Extension Up To 12" Each Additional Inch	\$3,967.00 279.50



Consult factory for all applications outside of listed parameters.
Prices do not include applicable taxes.

